

## ANGULAR BOARD TYPE THERMOMETER

- THE SENSOR BULBS OF THERMOMETERS ARE FILLED WITH NON-CORROSIVE LIQUID, AND ARE WIDELY USED FOR WHERE TEMPERATURE MEASURING IS REQUIRED.
- LENGTH OF BODY = 6"
- DIMENSION OF ANGULAR BOARD = 16\*34MM
- CONNECTION = 1/2" PT
- TEMPERATURE RANGE = -50 ~+200°C
- ACCURACY = $\pm$  1.5 %F.S.



CL TYPE



CS TYPE

## BBQ THERMOMETER & THERMOMETER WITH MAGNET

VARIOUS TYPES OF BBQ THERMOMETERS AVAILABLE FOR FOOD SERVICE, BARBECUE & COOKING. FEATURES HEAVY DUTY CONSTRUCTION AND WIDE TEMPERATURE RANGE.

THERMOMETER WITH MAGNET CAN BE ATTACHED TO THE WORKING OBJECTS AND GET THE TEMPERATURE DIRECTLY. DIAL SIZE: 1.5"

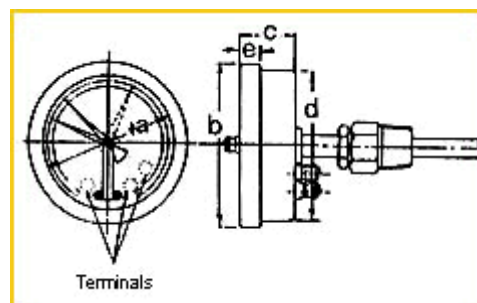
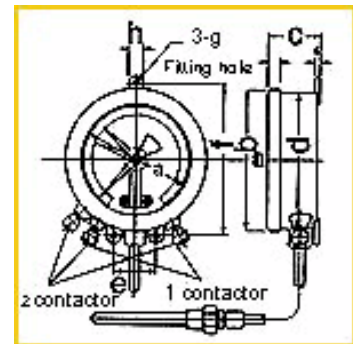


## CAPILLARY THERMOMETER (ELECTRICAL CONTACT TYPE)

Capillary thermometer is used for where display is required some distance from the sensing point. The dial can be located up to 30 meters from sensing point and isolated from dirt and vibration. With rigid stems, it can be for direct mounting or with flexible capillary for remote reading.

- Material of case & cover :SUS304
- SENSOR BULB:SUS304(#316 also available)
- Temperature range : -50 ~ +600°C
- Capillary length: Standard 3M, Max. 30M
- One contact type
- Two contacts type
- External adjusting method

### MW-HL 6" WALL MOUNTING TYPE



### MF-HL DIRECT CONNECTION TYPE

(MM)									
symbol Type No.	a	b	c	d	e	f	g	h	i
MW3 3" Wall Mounting Type	70	85	43	76	11	100	89	6	1
MW4 4" Wall Mounting Type	90	110	40		16	133	122	7.6x6	1

# TEKLAND

## THERMOMETERS with Contacts

Contact type is installed with electric contact actuated by pointer. It provides the function which electric circuit can be open or closed by manual set point. It is applicable where signal is required for control of resistance or any other application with auxiliary relay and contact.

- Material of case & cover : SUS304
- Sensor bulb: SUS304
- Temperature range: -50 ~ +600°C
- Sensor bulb diameter : 6mm ~12mm
- One contact type or Two contacts type
- External adjusting method
- Wall mounting type (MW) or Flush mounting type (MD)

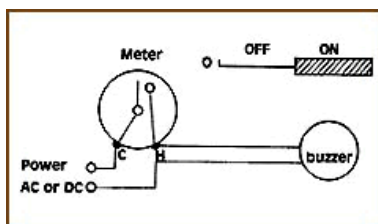


MW-E

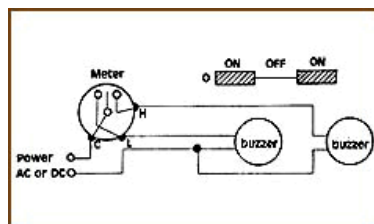


MD-HL

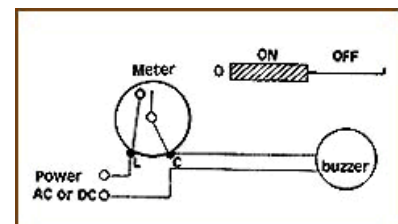
### Mechanism & Circuit Examples of Electric Contactor



Upper limit one contactor



Upper & Lower limit two contactors



Lower limit one contactor

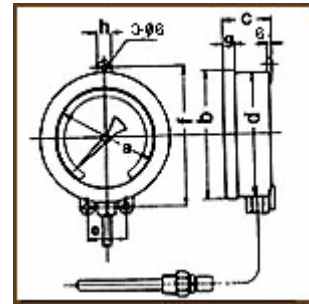
## CAPILLARY THERMOMETER (LIQUID FILLED)

Capillary thermometer is used for where display is required some distance from the sensing point. The dial can be located up to 30 meters from sensing point and isolated from dirt and vibration. With rigid stems, it can be for direct mounting or with flexible capillary for remote reading.

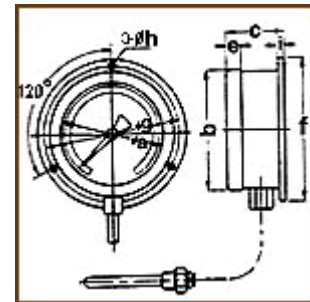
- Material of case & cover : SUS304
- Sensor bulb: SUS304 (#316 also available)
- Temperature range: -50 ~ +600°C
- Remote measuring length: Standard 3M , Max . 30M.
- Accuracy :  $\pm 1\%$  on full scale
- Applications: Transformer, Dyeing, Drier, Foods, Boiler, Refrigerators, Air Conditioning equip. , and other industrial machines.



MW6



MW4



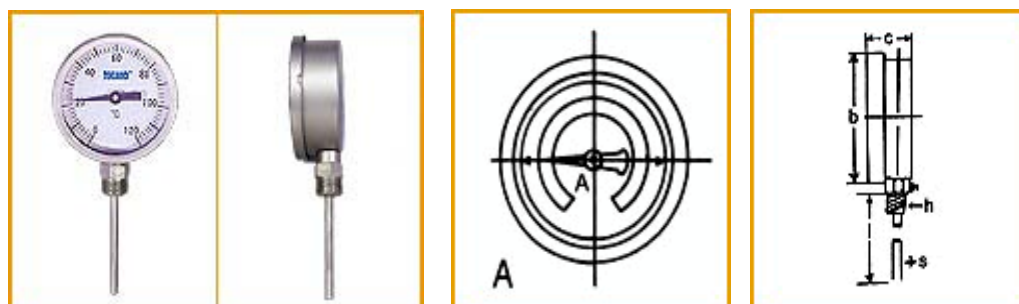
									(mm)
symbol Type No.	a	b	c	d	e	f	g	h	i
MW6 6" Wall Mounting Type	140	160	50	147	51	185	13	24	

## BI-METAL THERMOMETERS

Combines with robust construction and eliminates the need for any capillary tubing that makes the thermometer suitable for the most stringent environmental conditions and gives an accurate indication every time with the direct drive from coil to pointer.

- Case & connection Material: 304 stainless steel
- Parts of connection : SUS316; others can be customized.
- Sensor bulb : SUS304 or SUS316
- Dial scale plate : Aluminum; white background with black figures & marks
- Temperature range : -50 ~ +600 ° C
- Sensor bulb diameter : Standard  $\text{Ø}6.35\text{mm}$ ;  $\text{Ø}4\sim\text{Ø}12\text{mm}$  can be customized.
- Length of sensor bulb : 2" ~60" by orders
- Accuracy : 1.0% on full scale
- HL electric contacts can be installed additionally.

### Stainless Steel for Exposed Parts



**BS**

(mm)						
	a	b	c	h	l	s
BS 3"	70	85	43	1/4PT	2" 60"	4 $\text{Ø}$ 12 $\text{Ø}$
BS 4"	96	115	52	1/2PT		
BS 6"	140	160	46			

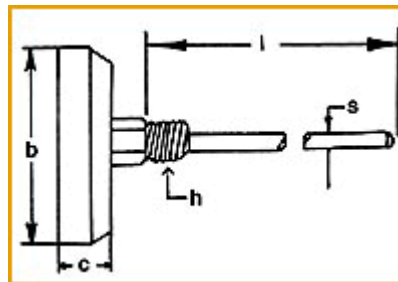
## BI-METAL THERMOMETERS

The principal is that two strips made of different metallic materials are fused together as a spiral or rod. The strip will wind, unwind or bend as the temperature changes because one of the two materials in the strip will contract or expand to a greater degree than the other will. The free end of the strip is attached to a pointer that will indicate the temperature.

- Case & connection Material : 304 stainless steel
- Parts of connection : SUS316; others can be made by ordered
- Sensor bulb : SUS304 or SUS316
- Dial scale plate : Aluminum;  
White background with black figures & marks
- Temperature range : -50 ~ +600°C
- Sensor bulb diameter : Standard Ø6.35mm;  
Ø4~Ø12mm can be made by ordered
- Length of sensor bulb : 2" ~60" by orders
- Accuracy : +/- 1.0% on full scale
- HL electric contacts can be installed additionally.



**BL**



(mm)						
	a	b	c	s	l	h
BL 1 "	22	26	7	4Ø	2 "	1 / 4PT
BL 1.5 "	30	34.6	11			
BL 2 "	43	51	12			
BL 2.5 "	57	65	14			
BL 3 "	70	80.5	19	12Ø	60 "	1 / 2PT
BL 4 "	101	119	20			
BL 5 "	114	130	22			
BL 6 "	140	160	32			

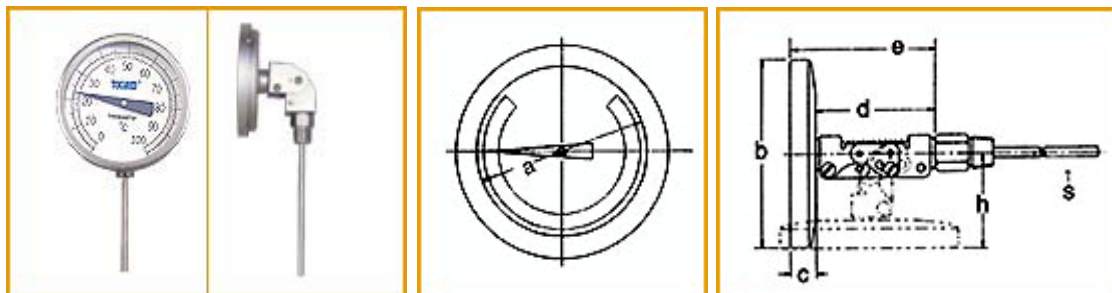
# TEKLAND

## BI-METAL THERMOMETERS

Angle adjustable bi-metal thermometers allow movement of the head through a full 90 degrees rotation which permits its position to be set for a maximum readability after installation.

- Case & connection Material : 304 stainless steel
- Parts of connection : SUS316; others can be made by ordered
- Sensor bulb : SUS304 or SUS316
- Dial scale plate : Aluminum; White background with black figures & marks
- Temperature range : -50 ~ +600 ° C
- Sensor bulb diameter : Standard  $\varnothing 6.35\text{mm}$ ;  $\varnothing 4\sim\varnothing 12\text{mm}$  can be made by ordered
- Length of sensor bulb : 2" ~60" by orders
- Accuracy : 1.0% on full scale
- HL electric contacts can be installed additionally.

### ADJUSTABLE ANGLE TYPE



**BA**

	a	b	c	d	e	h	s
BA 3"	70	85	19	75	94	1/4PT	4Ø
BA 4"	101	119	20	75	-	1/2PT	}
BA 5"	114	130	22	75	97		
BA 6"	140	160	32	75	107		

(mm)