

ANGULAR BOARD TYPE THERMOMETER

- THE SENSOR BULBS OF THERMOMETERS ARE FILLED WITH NON-CORROSIVE LIQUID, AND ARE WIDELY USED FOR WHERE TEMPERATURE MEASURING IS REQUIRED.
- LENGTH OF BODY = 6"
- DIMENSION OF ANGULAR BOARD = 16*34MM
- CONNECTION = 1/2" PT
- TEMPERATURE RANGE = -50 ~+200°C
- ACCURACY =± 1.5 %F.S.



CL TYPE



CS TYPE

BBQ THERMOMETER

VARIOUS TYPES OF BBQ THERMOMETERS AVAILABLE FOR FOOD SERVICE, BARBECUE & COOKING. FEATURES HEAVY DUTY CONSTRUCTION AND WIDE TEMPERATURE RANGE.

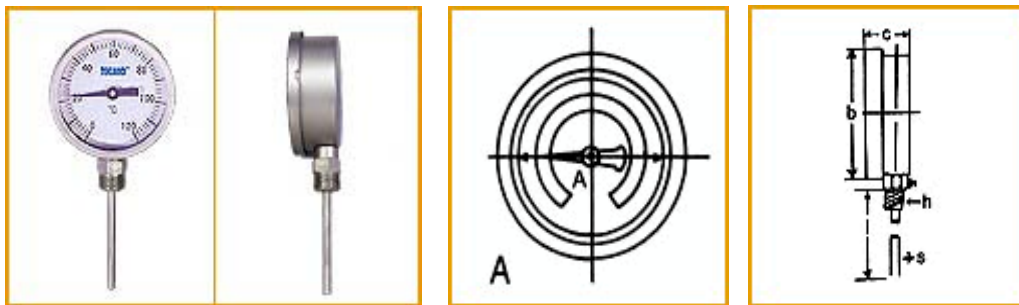


BI-METAL THERMOMETERS (BOTTOM CONNECTION)

COMBINES WITH ROBUST CONSTRUCTION AND ELIMINATES THE NEED FOR ANY CAPILLARY TUBING THAT MAKES THE THERMOMETER SUITABLE FOR THE MOST STRINGENT ENVIRONMENTAL CONDITIONS AND GIVES AN ACCURATE INDICATION EVERY TIME WITH THE DIRECT DRIVE FROM COIL TO POINTER.

- CASE & CONNECTION MATERIAL: 304 STAINLESS STEEL
- PARTS OF CONNECTION : SUS316; OTHERS CAN BE CUSTOMIZED.
- SENSOR BULB : SUS304 OR SUS316
- DIAL SCALE PLATE : ALUMINUM; WHITE BACKGROUND WITH BLACK FIGURES & MARKS
- TEMPERATURE RANGE : -50 ~ +600 ° C
- SENSOR BULB DIAMETER : STANDARD $\varnothing 6.35\text{MM}$; $\varnothing 4 \sim \varnothing 12\text{MM}$ CAN BE CUSTOMIZED.
- LENGTH OF SENSOR BULB : 2" ~ 60" BY ORDERS
- ACCURACY : 1.0% ON FULL SCALE
- HL ELECTRIC CONTACTS CAN BE INSTALLED ADDITIONALLY.

STAINLESS STEEL FOR EXPOSED PARTS



BS TYPE

(mm)						
	a	b	c	h	l	s
BS 3"	70	85	43	1/4PT	2" ∞ 60"	4∅ ∞ 12∅
BS 4"	96	115	52	1/2PT		
BS 6"	140	160	46			

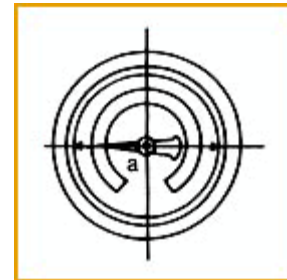
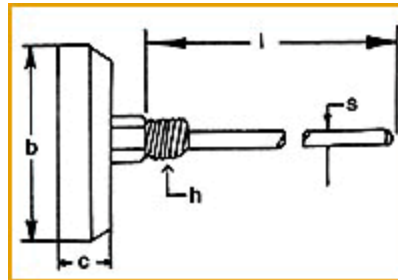
BI-METAL THERMOMETERS (BACK CONNECTION)

THE PRINCIPAL IS THAT TWO STRIPS MADE OF DIFFERENT METALLIC MATERIALS ARE FUSED TOGETHER AS A SPIRAL OR ROD. THE STRIP WILL WIND, UNWIND OR BEND AS THE TEMPERATURE CHANGES BECAUSE ONE OF THE TWO MATERIALS IN THE STRIP WILL CONTRACT OR EXPAND TO A GREATER DEGREE THAN THE OTHER WILL. THE FREE END OF THE STRIP IS ATTACHED TO A POINTER THAT WILL INDICATE THE TEMPERATURE.

- CASE & CONNECTION MATERIAL : 304 STAINLESS STEEL
- PARTS OF CONNECTION : SUS316; OTHERS CAN BE MADE BY ORDERED
- SENSOR BULB : SUS304 OR SUS316
- DIAL SCALE PLATE : ALUMINUM;
WHITE BACKGROUND WITH BLACK FIGURES & MARKS
- TEMPERATURE RANGE : -50 ~ +600°C
- SENSOR BULB DIAMETER : STANDARD Ø6.35MM;
Ø4~Ø12MM CAN BE MADE BY ORDERED
- LENGTH OF SENSOR BULB : 2" ~60" BY ORDERS
- ACCURACY : +/- 1.0% ON FULL SCALE
- HL ELECTRIC CONTACTS CAN BE INSTALLED ADDITIONALLY.



BL TYPE



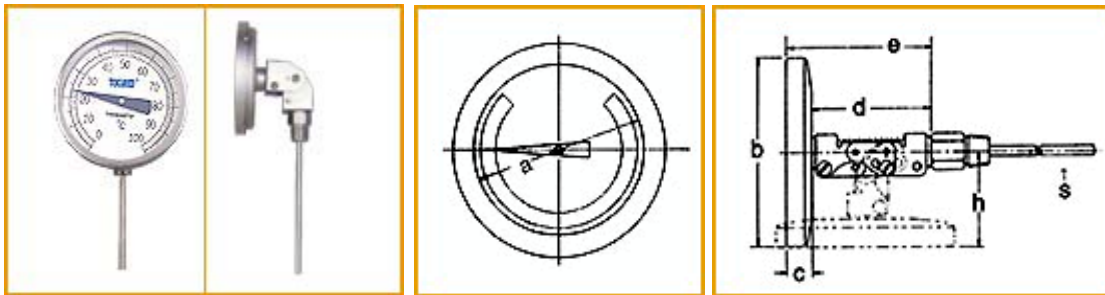
(mm)						
	a	b	c	s	l	h
BL 1 "	22	26	7	4Ø	2 "	1 / 4PT
BL 1.5 "	30	34.6	11			
BL 2 "	43	51	12			
BL 2.5 "	57	65	14			
BL 3 "	70	80.5	19	12Ø	60 "	1 / 2PT
BL 4 "	101	119	20			
BL 5 "	114	130	22			
BL 6 "	140	160	32			

BI-METAL THERMOMETERS (ANGLE ADJUSTABLE TYPE)

ANGLE ADJUSTABLE BI-METAL THERMOMETERS ALLOW MOVEMENT OF THE HEAD THROUGH A FULL 90 DEGREES ROTATION WHICH PERMITS ITS POSITION TO BE SET FOR A MAXIMUM READABILITY AFTER INSTALLATION.

- CASE & CONNECTION MATERIAL : 304 STAINLESS STEEL
- PARTS OF CONNECTION : SUS316; OTHERS CAN BE MADE BY ORDERED
- SENSOR BULB : SUS304 OR SUS316
- DIAL SCALE PLATE : ALUMINUM; WHITE BACKGROUND WITH BLACK FIGURES & MARKS
- TEMPERATURE RANGE : -50 ~ +600 ° C
- SENSOR BULB DIAMETER : STANDARD Ø6.35MM; Ø4~Ø12MM CAN BE MADE BY ORDERED
- LENGTH OF SENSOR BULB : 2" ~60" BY ORDERS
- ACCURACY : +/-1.0% ON FULL SCALE
- HL ELECTRIC CONTACTS CAN BE INSTALLED ADDITIONALLY.

ADJUSTABLE ANGLE TYPE



BA TYPE

							(mm)	
	a	b	c	d	e	h	s	
BA 3 "	70	85	19	75	94	1/4PT	4Ø } 12Ø	
BA 4 "	101	119	20	75	-	1/2PT		
BA 5 "	114	130	22	75	97			
BA 6 "	140	160	32	75	107			

BI-METAL THERMOMETERS (DIRECT CONNECTION TYPE)

COMBINES WITH ROBUST CONSTRUCTION AND ELIMINATES THE NEED FOR ANY CAPILLARY TUBING THAT MAKES THE THERMOMETER SUITABLE FOR THE MOST STRINGENT ENVIRONMENTAL CONDITIONS AND GIVES AN ACCURATE INDICATION EVERY TIME WITH THE DIRECT DRIVE FROM COIL TO POINTER. MORE EASY AND CONVENIENT THAN BS OR BL THERMOMETERS AS A FLEXIBLE THREAD IS ATTACHED WHICH CAN BE FIXED INTO THE MEASURING INSTRUMENTS WITHOUT REMOVAL THE THERMOMETERS WHEN REPLACEMENT IS NEEDED.

- CASE & CONNECTION MATERIAL: 304 STAINLESS STEEL
- PARTS OF CONNECTION : SUS316; OTHERS CAN BE CUSTOMIZED.
- SENSOR BULB : SUS304 OR SUS316
- DIAL SCALE PLATE : ALUMINUM; WHITE BACKGROUND WITH BLACK FIGURES & MARKS
- TEMPERATURE RANGE : -50 ~ +600 ° C
- SENSOR BULB DIAMETER : STANDARD Ø6.35MM; Ø4~Ø12MM CAN BE CUSTOMIZED.
- LENGTH OF SENSOR BULB : 2" ~60" BY ORDERS
- ACCURACY : 1.0% ON FULL SCALE
- HL ELECTRIC CONTACTS CAN BE INSTALLED ADDITIONALLY.



BD TYPE



**BD-HL TYPE
BOTTOM CONNECTION**



**BD-HL TYPE
BACK CONNECTION**

CAPILLARY THERMOMETER

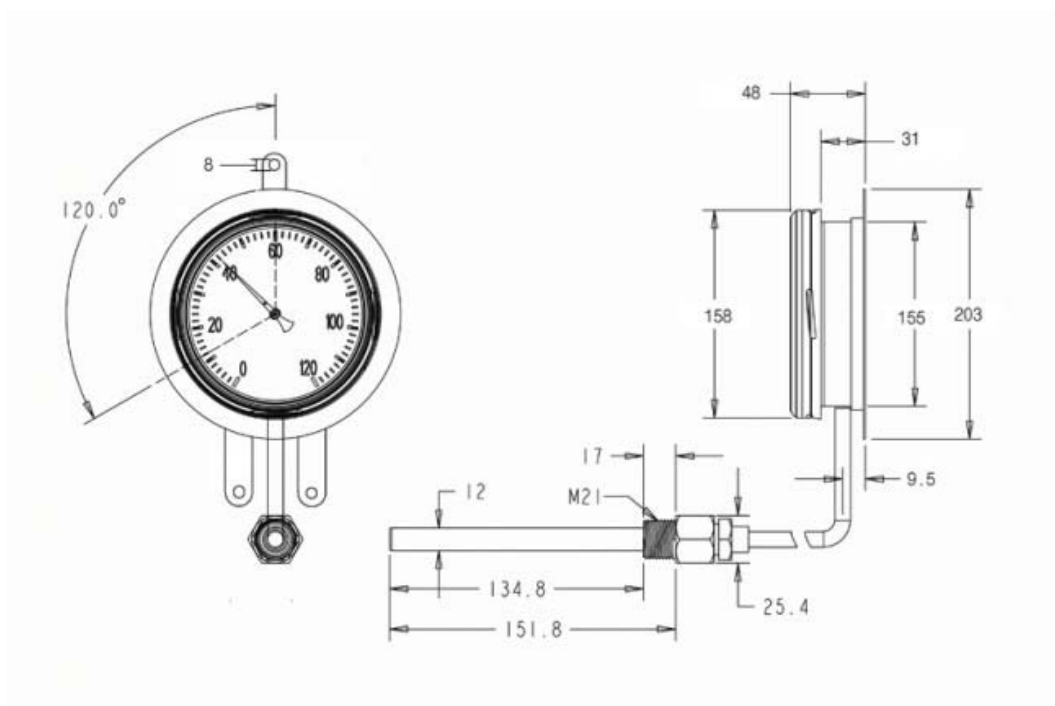
CAPILLARY THERMOMETER IS USED FOR WHERE DISPLAY IS REQUIRED SOME DISTANCE FROM THE SENSING POINT. THE DIAL CAN BE LOCATED UP TO 30 METERS FROM SENSING POINT AND ISOLATED FROM DIRT AND VIBRATION. WITH RIGID STEMS, IT CAN BE FOR DIRECT MOUNTING OR WITH FLEXIBLE CAPILLARY FOR REMOTE READING.

- MATERIAL OF CASE & COVER : SUS304
- DIAMETER: 3", 4", 5", (6" WITH OUTSIDE 3 FIXING POINTS)
- SENSOR BULB: SUS304(#316 ALSO AVAILABLE)
- TEMPERATURE RANGE : -50 ~ +600°C
- CAPILLARY LENGTH: STANDARD 3M, MAX. 30M
- ACCURACY: +/- 1% ON FULL SCALE
- WALL MOUNTING & FLUSH MOUNTING AVAILABLE
- APPLICATIONS: TRANSFORMER, DYEING, DRIER, FOODS, BOILER, REFRIGERATORS, AIR CONDITIONING EQUIPMENT & OTHER INDUSTRIAL MACHINES.

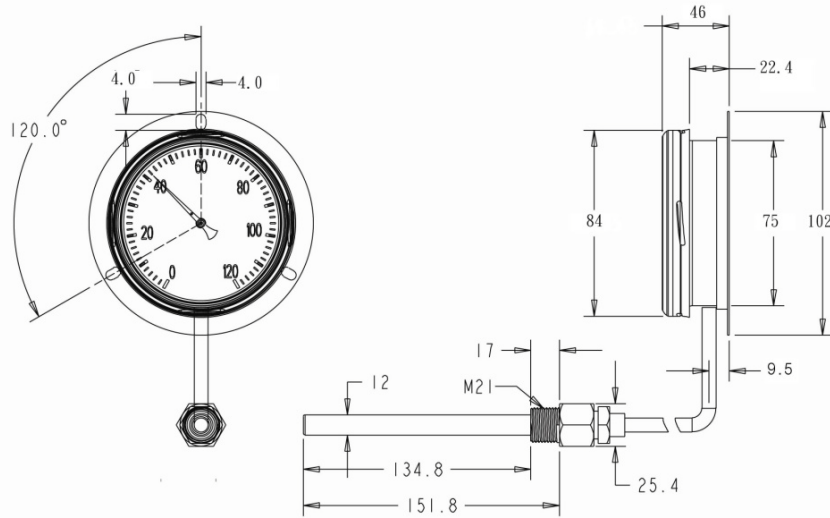


MW 6" WALL MOUNTING

SPECIFICATION:

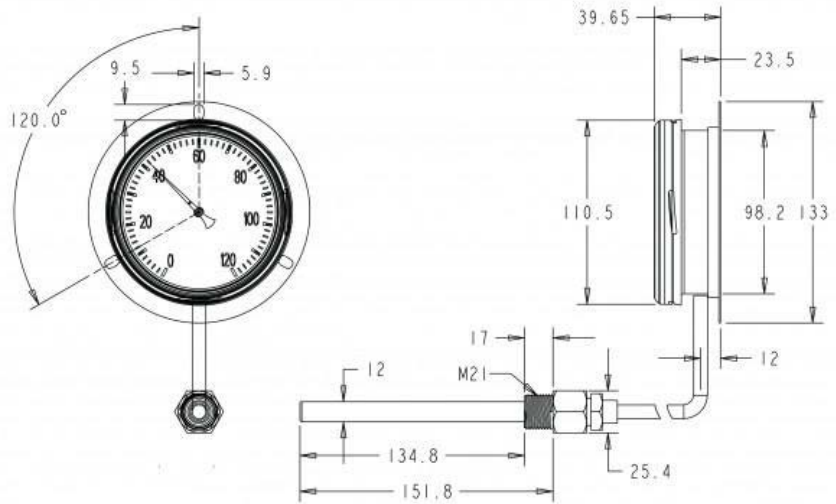


CAPILLARY THERMOMETER WALL MOUNTING SPECIFICATION 3":

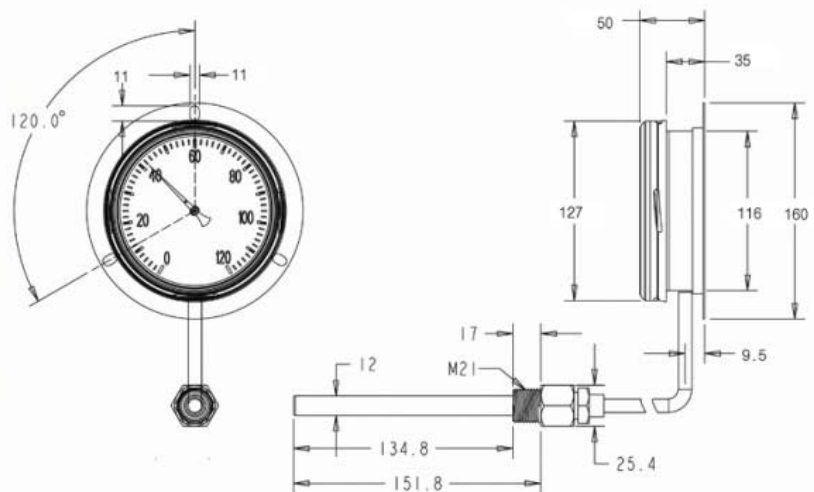


MW

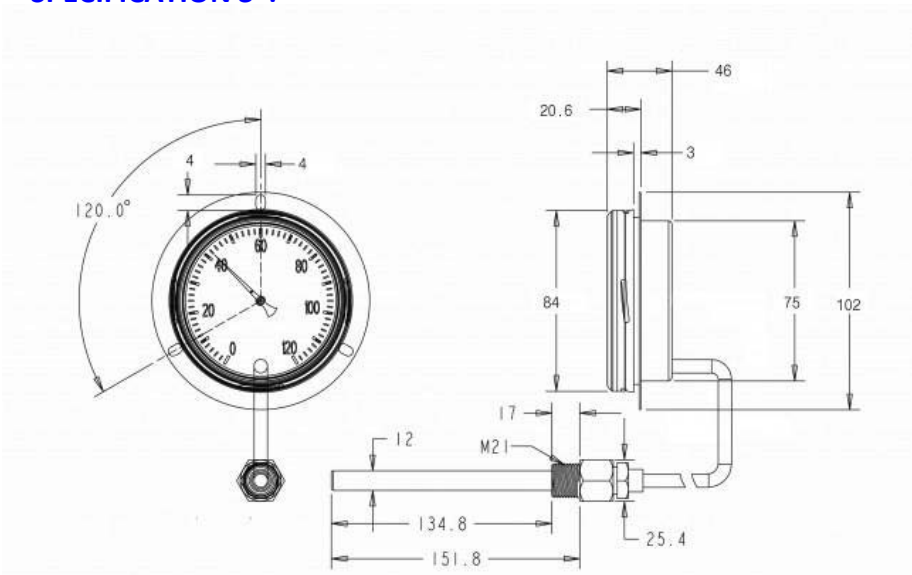
SPECIFICATION 4":



SPECIFICATION 5":

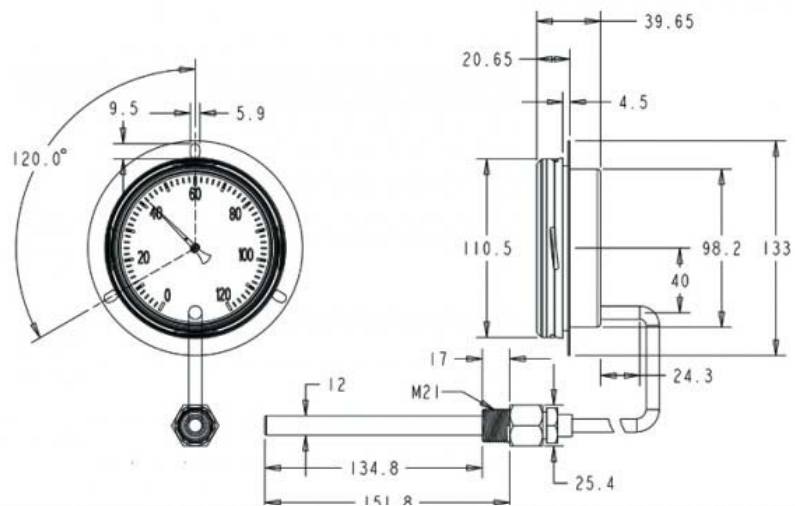


CAPILLARY THERMOMETER FLUSH MOUNTING SPECIFICATION 3":

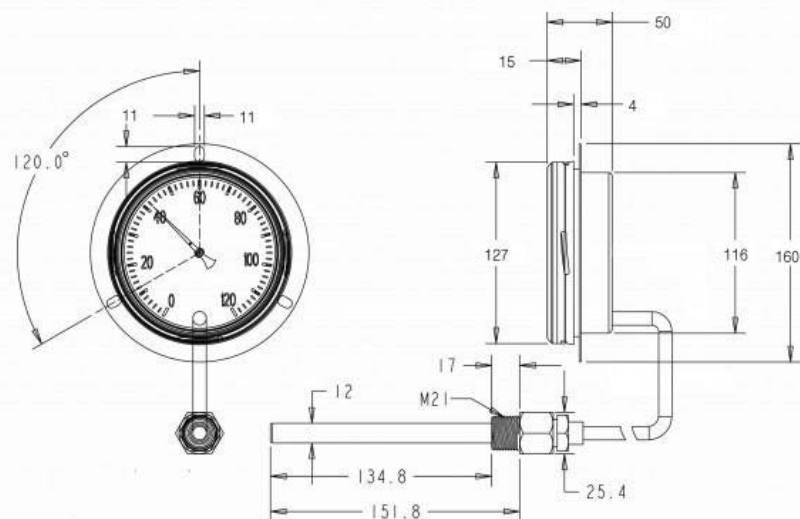


MD

SPECIFICATION 4":



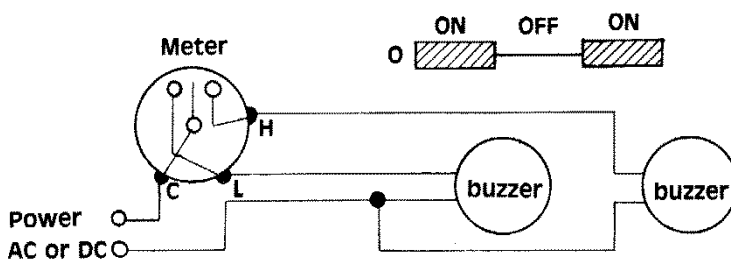
SPECIFICATION 5":



CAPILLARY THERMOMETER (ELECTRICAL CONTACT TYPE)

CAPILLARY THERMOMETER IS USED FOR WHERE DISPLAY IS REQUIRED SOME DISTANCE FROM THE SENSING POINT. THE DIAL CAN BE LOCATED UP TO 30 METERS FROM SENSING POINT AND ISOLATED FROM DIRT AND VIBRATION. WITH RIGID STEMS, IT CAN BE FOR DIRECT MOUNTING OR WITH FLEXIBLE CAPILLARY FOR REMOTE READING. WITH ELECTRICAL CONTACT, IT PROVIDES THE FUNCTION WHICH ELECTRIC CIRCUIT CAN BE OPEN OR CLOSED BY MANUAL SET POINT. THESE THERMOMETERS CAN BE CONFIGURED FOR A 1NO+1NC OUTPUT OR A 1NO OR 1NC. MECHANISM & CIRCUIT EXAMPLES OF THE ELECTRICAL CONTACT ARE SHOWN AS FOLLOWS. THIS IS APPLICABLE TO ALL CAPILLARY THERMOMETERS WITH ELECTRICAL CONTACTS.

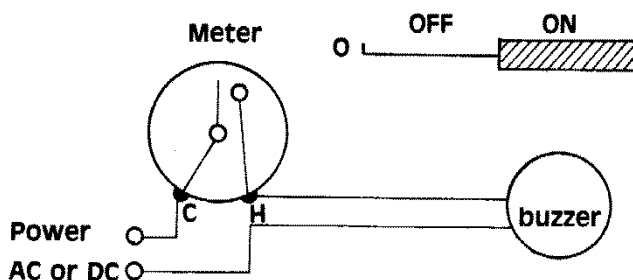
- MATERIAL OF CASE & COVER : SUS304
- DIAMETER: 3", 4", 5" (6" IS WITH 3 OUTSIDE FIXING POINTS)
- SENSOR BULB: SUS304 (#316 ALSO AVAILABLE)
- TEMPERATURE RANGE : -50 ~ +600°C
- CAPILLARY LENGTH: STANDARD 3M, MAX. 30M
- EXTERNAL ADJUSTING METHOD



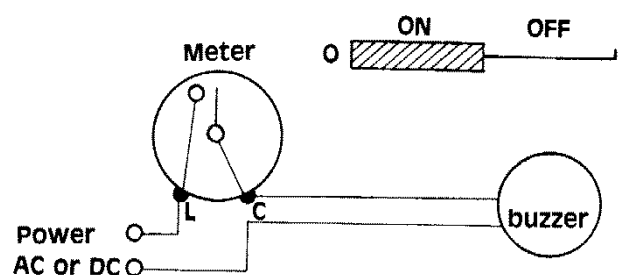
TWO CONTACTS 1NO+1NC



MW-HL 6" WALL MOUNTING TYPE



ONE CONTACT 1NO



ONE CONTACT 1NC

CAPILLARY THERMOMETER (ELECTRICAL CONTACT TYPE)**MW-HL 3", 4", 5"
WALL MOUNTING****MD-HL 3", 4", 5"
FLUSH MOUNTING****ME-HL WALL MOUNTING TYPE**

WITH SIMPLE ELECTRICAL OUTPUT CONNECTION BOX, BUT NOT EXPLOSION-PROOF. FLUSH MOUNTING IS AVAILABLE.

EXPLOSION-PROOF TYPE MW-P

WITH SENSOR TYPE OF CONTACTS, NOT TOUCH UP TYPE, IT WILL NOT BROUGHT UP THE SPARK TO AVOID ANY EXPLOSION IN THE CONTACTS. MORE DURABLE AND SUITABLE FOR THE ENVIRONMENTS FULL OF EXPLOSION RISK OR FOR POWER SWITCH WITH FREQUENT ON & OFF. FLUSH MOUNTING IS AVAILABLE.

